

aarke

Carbonator Pro

Elevating your carbonation experience



COPY BLOCKS

- 5 words **Elevating your carbonation experience.**
A sparkling water maker with glass bottle.
- 10 words **Elevating your carbonation experience.**
The Carbonator Pro is a sparkling water maker with glass bottle.
- 25 words **Elevating your carbonation experience.**
The Carbonator Pro is a sparkling water maker in a contemporary design, with a smooth one-handed operation. It's made of stainless steel and comes with a dishwasher safe glass bottle.
- 50 words **Elevating your carbonation experience.**
The Carbonator Pro is a high-quality sparkling water maker in a contemporary design. It's made of stainless steel and comes with a sophisticated dishwasher safe glass bottle. The Pro incorporates a smooth one-handed operation with the unique Push-to-Lock™ feature. When the carbonation is complete, the machine reveals the sparkling glass bottle.

KEY SELLING POINTS

- Premium sparkling water maker
- Made of stainless steel
- Make fresh sparkling water with a simple one-handed operation
- Compatible with most standard CO₂ cylinders
- Carbonates up to 60 liters
- Glass bottle included – dishwasher safe
- Cordless, no electricity needed
- Energy efficient, powered by CO₂ cylinder

MORE INFORMATION

Simple user experience

The carbonation process is a smooth, one-handed operation with the unique Push-to-Lock™ feature. Make fresh sparkling water with the push of a button.

Customized carbonation

Get the bubbles just how you like them. Push the top button once to carbonate. If you want more bubbles; push the button again – and then again to really give the bubbles a boost. Simple as that.

Glass bottle

The sophisticated glass bottle with a metal cap can be cleaned in the dishwasher.

High quality in every aspect

The Carbonator Pro is made of high-quality materials. A robust machine with stainless steel enclosure, minimizing the use of plastics and ensuring a long lifecycle. Inside the machine, dampers and gas springs generate smooth machine movements, creating a pleasant, seamless experience. On the foot of the machine, rubber will protect your countertop from scratches.

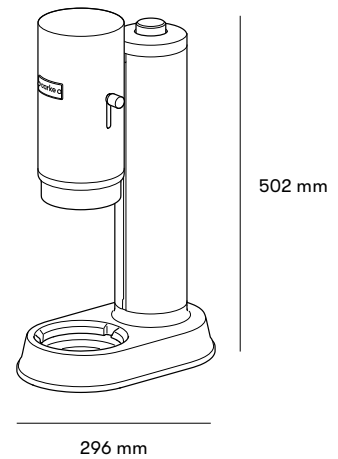
SPECIFICATIONS

Product dimensions

H: 502 mm
W: 173 mm
D: 296 mm
Weight: 3655 g

Materials

- Stainless steel
- Glass bottle, dishwasher safe



TECHNICAL SPECIFICATIONS

Origins

Designed & engineered in Sweden, built in China.
Glass bottle produced in Poland.

Bottle capacity

80 cl
70 cl to Filling Line

Compatibility

Compatible with most standard CO₂ cylinders.
Please note: Australia and New Zealand carbonator version is only compatible with Australian and New Zealand cylinders.

CO₂ Gas Cylinder

60 L / 14.5oz, 60 mm, 425 g

Warranty

2 years

Colors

- Matte Black
- Stainless Steel

IN THE BOX

Carbonator Pro
Glass bottle
Cleaning cloth
User manual & Quick guide

